



Custom Metal Blinds

LEVOLOR[®]

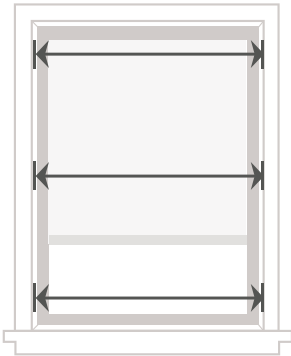
Technical Guide
Effective May 2024

Table of Contents

How to Measure Quickly and Accurately	3
Window and Measuring Terminology	4
How to Measure Two Blinds On One Headrail (2-on-1 Headrail)	4
Color Index	5
Features and Options	6
Specifications	7-8
Care Instructions	9
Exploded Views	
Riviera™ Classic 1"	10
Riviera™ Select 1"	11
Riviera™ Complete 1"	12
Riviera™ Complete 2"	13
Warranty	See Levolor.com for Warranty Information

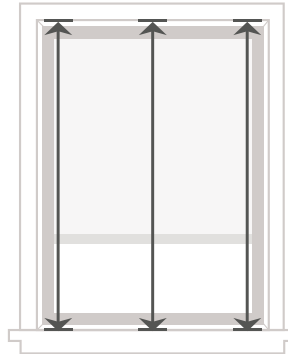
How To Measure Quickly and Accurately

Inside Mount (IM)



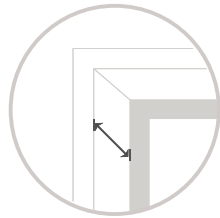
Measure Width

Measure inside the window frame horizontally in 3 places to the nearest $\frac{1}{8}$ inch: top, middle & bottom. The shortest measurement = **your width.**



Measure Height

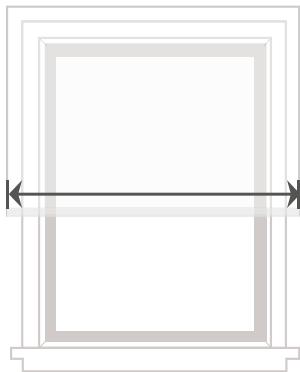
Measure inside the window frame vertically in 3 places to the nearest $\frac{1}{8}$ inch: left, middle & right. The longest measurement = **your height.**



Measure Depth

Measure the inside depth to the nearest $\frac{1}{8}$ inch at the top of the window frame. Be sure to consider any window obstacles. The shortest measurement = **your depth.**

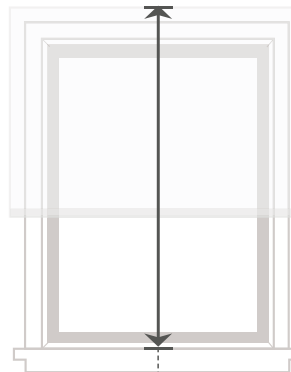
Outside Mount (OM)



Measure Width

Measure horizontally to the nearest $\frac{1}{8}$ inch between the outer-most points where you want your window treatments placed.

For optimal light control, it's recommended to overlap each side of the window frame by at least an additional $\frac{3}{4}$ inch.



Measure Height

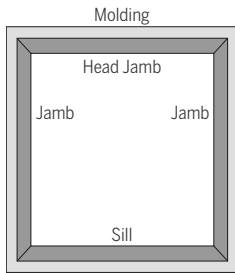
Measure vertically to the nearest $\frac{1}{8}$ inch from the top of where you want the window treatment to be installed (headrail location) to the top of the window sill, or measure to point of desired length if there is no sill.

For Outside Mount, window treatments will be made to your exact measurements.

MEASURING TIPS

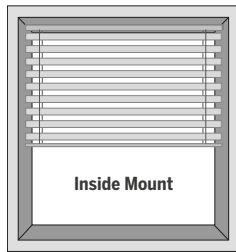
- Do not take deductions from your measurements. For Inside Mount, we will make adjustments to ensure a perfect fit.
- For Outside Mount installed outside of the window trim, you may need spacer blocks to account for the trim thickness.
- Measure each window – even ones that appear identical.
- All measurements should be to the nearest $\frac{1}{8}$ inch.
- Use a metal tape measure as cloth ones may stretch.

Window and Measuring Terminology



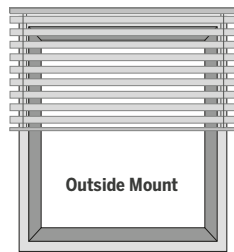
Window Components Terminology

- Collectively, the sill and jambs are called the “window casement” or “frame.”



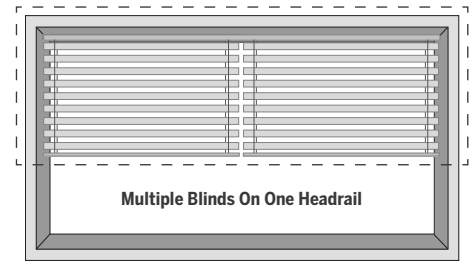
Inside Mount

- Blind fits within window opening.
- Great for windows with beautiful trim.



Outside Mount

- Blind mounts outside window opening.
- Increased light control and privacy.



2-on-1 Headrail

- Provides the clean appearance of a single blind with the ability to operate each blind independently.
- Can be mounted inside or outside.

How to Measure Two Blinds On One Headrail (2-on-1 Headrail)

Inside Mount (IM) Installation

1 Measure Width

Total Blind Width – Measure to the nearest $\frac{1}{8}$ " between inside surfaces of window frame; at the top, middle, and bottom. Record the narrowest width of the three.

Left Blind Width – Measure the width that you want the left blind to cover. Order this blind first when placing your order.

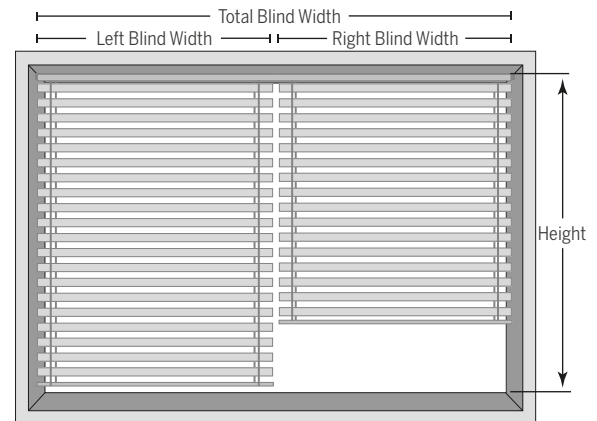
Right Blind Width – Measure the width that you want the right blind to cover.

2 Measure Height

Overall Blind Height – Measure to the nearest $\frac{1}{8}$ " from inside surface at top of window to top of sill; at the left, middle, and right. Record the tallest height of the three.

3 Measure Depth

Measure exact depth of window casing making note of any obstacles, i.e. handles, tracks, or cranks, that could interfere with the blind or blind function. Use the shortest depth.



Outside Mount (OM) Installation

1 Measure Width

Overall Blind Width – Measure to the nearest $\frac{1}{8}$ " between outermost points where blind is to be placed. Add an additional 3" to 6" to total width for maximum privacy.

Left Blind Width – Measure the width that you want the left blind to cover. Order this blind first when placing your order.

Right Blind Width – Measure the width that you want the right blind to cover.

2 Measure Height

Overall Blind Height – Measure to the nearest $\frac{1}{8}$ " from where top of blind will be located to top of sill or, measure to point of blind reach if no sill.

2-ON-1 HELPFUL NOTES

- Each blind operates separately.
- There will be a gap between the left and right blinds to allow them to operate independently.
- The minimum light gap is $\frac{1}{4}$ " and the maximum is $\frac{1}{2}$ " (light gap is the space needed between the two blinds to ensure proper operation).
- Always use a metal tape measure as cloth may stretch.
- Take all measurements to the nearest $\frac{1}{8}$ in. DO NOT take any deductions.
- The factory will make the necessary adjustments to help ensure your blind operates smoothly.

COLOR INDEX

Solid Finishes

Color #	Description	Riviera™ Classic 1"	Riviera™ Select 1"	Riviera™ Complete 1"	Riviera™ Complete 2"
112	Alabaster	■	■	■	■
137	Almond	■	■	■	■
890	Black	■	■	■	■
125	Bright White		■	■	
571	Cactus Sage		■	■	
997	Chalk	■	■	■	
637	China Blue		■	■	
111	Cotton	■	■	■	■
993	Dark Chocolate		■	■	
115	Dover	■	■	■	■
748	Fog		■	■	
275	Garnet Red		■	■	
990	Glossy White		■	■	
201	Ivory	■	■	■	■
186	Latte	■	■	■	
316	Malibu Sand		■	■	
860	Mercury		■	■	
365	Mushroom	■	■	■	■
385	Nearly White			■	
862	Pearl Gray	■	■	■	■
999	Pebble	■	■	■	
116	Polar Bear	■	■	■	■
887	Raw Umber	■	■	■	■
384	Rich Earth			■	■
685	Royal Navy		■	■	
310	Sand	■	■	■	■
590	Sherwood Green		■	■	
405	Smoke		■	■	
820	Squirrel Gray	■	■	■	■
870	U.N. Gray			■	■
148	Vanilla			■	■
110	White	■	■	■	■
113	White Cap		■	■	

Premium Finishes

Color #	Description	Riviera™ Classic 1"	Riviera™ Select 1"	Riviera™ Complete 1"	Riviera™ Complete 2"
034	Brushed Aluminum	■	■	■	■
034P	Brushed Aluminum Perforated			■	
996	Brushed Mist		■	■	
262	Brushed Nickel			■	
915	Copperite			■	
885	Dark Bronze	■	■	■	■
885P	Dark Bronze Perforated			■	
991	Matte Alabaster		■	■	
892	Matte Black	■	■	■	■
992	Matte Mushroom		■	■	
995	Metallic Taupe			■	
1392	Quartz White			■	
031	Satin Nickel	■	■	■	■

Custom Metal Blinds

FEATURES

	Riviera™ Classic 1"	Riviera™ Select 1"	Riviera™ Complete 1"	Riviera™ Complete 2"
Number of Colors	20	36	46	20
Premium Finishes	4	7	13	4
Slat Gauge	0.006	0.006	0.008	0.008
Headrail Size	1-1/4" x 1-1/2"	1-1/4" x 1-1/2"	1-1/4" x 1-1/2"	2-1/4" x 1-1/2"
Headrail Gauge	0.024	0.024	0.024	0.024
Bottomrail	1-1/2" x 1-1/8"	1-1/2" x 1-1/8"	1-1/2" x 1-1/8"	2" x 1-1/8"
Cord Size	1.4 mm	1.4 mm	1.4 mm	1.4 mm
Ladder Spacing	22 mm	22 mm	22 mm	42 mm
Wand	Clear, Standard	Clear, Standard	Clear, Standard	Clear, Standard

OPTIONS

	Riviera™ Classic 1"	Riviera™ Select 1"	Riviera™ Complete 1"	Riviera™ Complete 2"
2 on 1 Headrail		■	■	■
Control Positions (L or R)	■	■	■	■
Box Brackets	■		■	■
Hidden Brackets		■	■	
Dust Resistant Finish	■	■	■	■
Channel Valance	■		■	■
Integrated Valance	■	■	■	
Heavy-Duty Headrail				■
Push Button Bottomrail	■	■	■	■
Hold-Down Brackets	■	■	■	■
Space Blocks*	■	■	■	■
Tile Cut Outs**	■	■	■	■

* Used for outside mount blinds only to clear obstructions, such as window moldings.

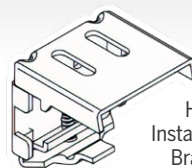
** Tile Cut Outs are only available for blinds over 31"; maximum width 1" on each side.

INTEGRATED VALANCE



HIDDEN BRACKET INSTALLATION

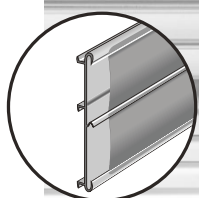
Standard on Riviera™ Select 1"
Optional on Riviera™ Complete 1"



Hidden
Installation
Brackets

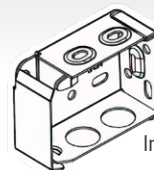


CHANNEL VALANCE



BOX BRACKET INSTALLATION

Standard on Riviera™ Classic 1"
Optional on Riviera™ Complete 1"



Box
Installation
Brackets



Custom Metal Blinds

SIZE SPECIFICATIONS

	Riviera™ Classic 1"	Riviera™ Select 1"	Riviera™ Complete 1"	Riviera™ Complete 2"
Slat Width	1"	1"	1"	2"
Minimum Width (NET)	10-1/2"	10-1/2"	10-1/2"	10-1/2"
Minimum Height	12"	12"	12"	12"
Maximum Width of a Single Blind	72"	120"	120"	120"
Maximum height	72"	84"	84"	84"
Maximum Width 2-on-1 Headrail	N/A	120"	120"	120"
Center Tilt Only – Net Width	10-1/2" to 12-3/8"	10-1/2" to 12-3/8"	10-1/2" to 12-3/8"	10-1/2" to 12-3/8"
Left or Right Tilt Only – Net Width	12-1/2" or greater	12-1/2" or greater	12-1/2" or greater	12-1/2" or greater

FINISHED DIMENSIONS

	Riviera™ Classic 1"	Riviera™ Select 1"	Riviera™ Complete 1"	Riviera™ Complete 2"
Inside Mount (IB) Headrail	- 1/2"	- 1/2"	- 1/2"	- 3/4"
Inside Mount (IB) Slat	- 1/2"	- 1/2"	- 1/2"	- 1/2"
Outside Mount (OB) Headrail	Ordered Width	Ordered Width	Ordered Width	- 1/4"
Outside Mount (OB) Slat	Ordered Width	Ordered Width	Ordered Width	Ordered Width
Blind Height	Ordered Height	Ordered Height	Ordered Height	Ordered Height

NOTE: Measurements represent difference of total headrail or slat width (including endcaps) from ordered width.

VALANCE RETURN LENGTHS

	Riviera™ Classic 1"	Riviera™ Select 1"	Riviera™ Complete 1"	Riviera™ Complete 2"
Inside Mount	No Returns	N/A	No Returns	No Returns
Outside Mount	1-3/4"	N/A	1-3/4"	2-7/8"

MOUNTING REQUIREMENTS

	Riviera™ 1"			Riviera™ 2"		
	Inside Mount Minimum Depth	Inside Mount Flush	Outside Mount (Wall Surface)	Inside Mount Minimum Depth	Inside Mount Flush	Outside Mount (Wall Surface)
No Valance						
Hidden Bracket	7/8"	1-3/4"	5/8"	N/A	N/A	N/A
Box Bracket	1"	1-3/4"	1-3/8"	1-1/8"	3-3/8"	1-3/4"
With Valance						
Hidden Bracket	7/8"	2-1/4"	5/8"	N/A	N/A	N/A
Box Bracket	1"	2-1/4"	1-3/8"	1-1/8"	3-3/8"	1-3/4"

Custom Metal Blinds

STACKING HEIGHTS		
	Riviera™ 1"	Riviera™ 2"
Blind Height Stacks To:		
36"	3-7/8"	5-1/4"
48"	4-1/4"	5-1/2"
60"	4-5/8"	5-3/4"
72"	5"	6"
84"	5-3/8"	6-1/4"

WAND LENGTHS			
Riviera™ 1"		Riviera™ 2"	
Wand Length	Blind Height	Wand Length	Blind Height
12"	12" to 22"	12"	12" to 24"
20"	22-1/8" to 37"	20"	24-1/8" to 36"
30"	37-1/8" to 52"	24"	36-1/8" to 48"
40"	52-1/8" to 67"	36"	48-1/8" to 60"
50"	67-1/8" to 82"	48"	60-1/8" to 75"
60"	82-1/8" to 84"	60"	75-1/8" to 84"

Optional Lengths: 70", 78", and 90"

Optional Lengths: 72" and 84"

LADDER PLACEMENT			
Riviera™ 1"		Riviera™ 2"	
Finished Width	Number of Ladders	Finished Width	Number of Ladders
Up to 36"	2	Up to 46-1/2"	2
36-1/8" to 60"	3	46-5/8" to 80-1/2"	3
60-1/8" to 84"	4	80-5/8" to 114-1/2"	4
84-1/8" to 108"	5	114-5/8" to 120"	5
108-1/8" to 120"	6		

CONTROL LOCATIONS				
	Width (Net)	Single Blind	2 on 1 (Left Blind)	2 on 1 (Right Blind)
Riviera™ 1"	10-1/2" to 12-3/8"	C (Only)	C (Only)	C (Only)
	12-1/2" or Greater	L or R		
	Width (Net)	Single Blind	2 on 1 (Left Blind)	2 on 1 (Right Blind)
Riviera™ 2"	10-1/2" to 12-3/8"	Center Tilt Only	C (Only)	C (Only)
	12-1/2" or greater	L or R		

Care Instructions

To keep your Levolor® Metal Blind looking its best, periodically wipe it with a soft dust cloth, a dusting mitt, or a round brush attachment from a vacuum cleaner.

- You can clean the blind hanging in place or you can take it down.
- By tilting the slats down, but not quite closed, you'll be able to clean most of the top surface of each slat.

In a very dusty environment, just clean the blind using a sponge or dampened soft cloth.

- Use warm (not hot) water and mild detergent. The mild detergent cannot contain abrasives.
- Rinse the blind with clean water to prevent water spots.
- Place a towel on the floor or window sill to absorb any water that drips from the blind.

Please note that certain solutions and equipment are too harsh and can cause shrinkage and/or color damage to your blind. The Levolor® Lifetime Limited Warranty does not cover damage caused by cleaning methods that use abrasive solutions or by ultrasonic cleaning machines.



DUSTING

Use a feather duster for regular cleaning.



VACUUMING

Use a low suction vacuum with a brush-type cleaner attachment; stroke lightly over the blind to clean.



FORCED AIR

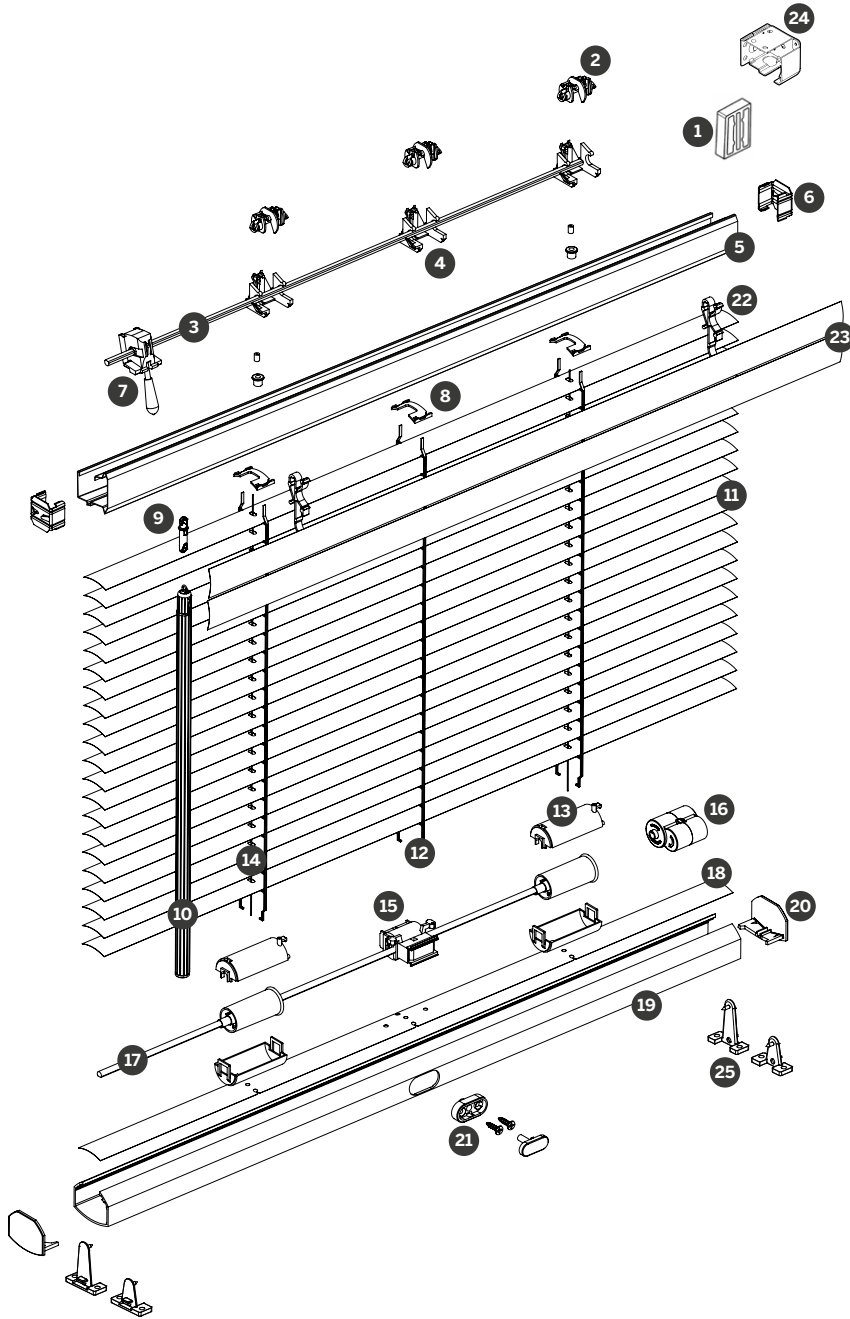
Blow away dirt and debris using clean compressed air.

Note: Improper cleaning may void warranty.

The following information, listed below, is available online at LEVOLOR.com

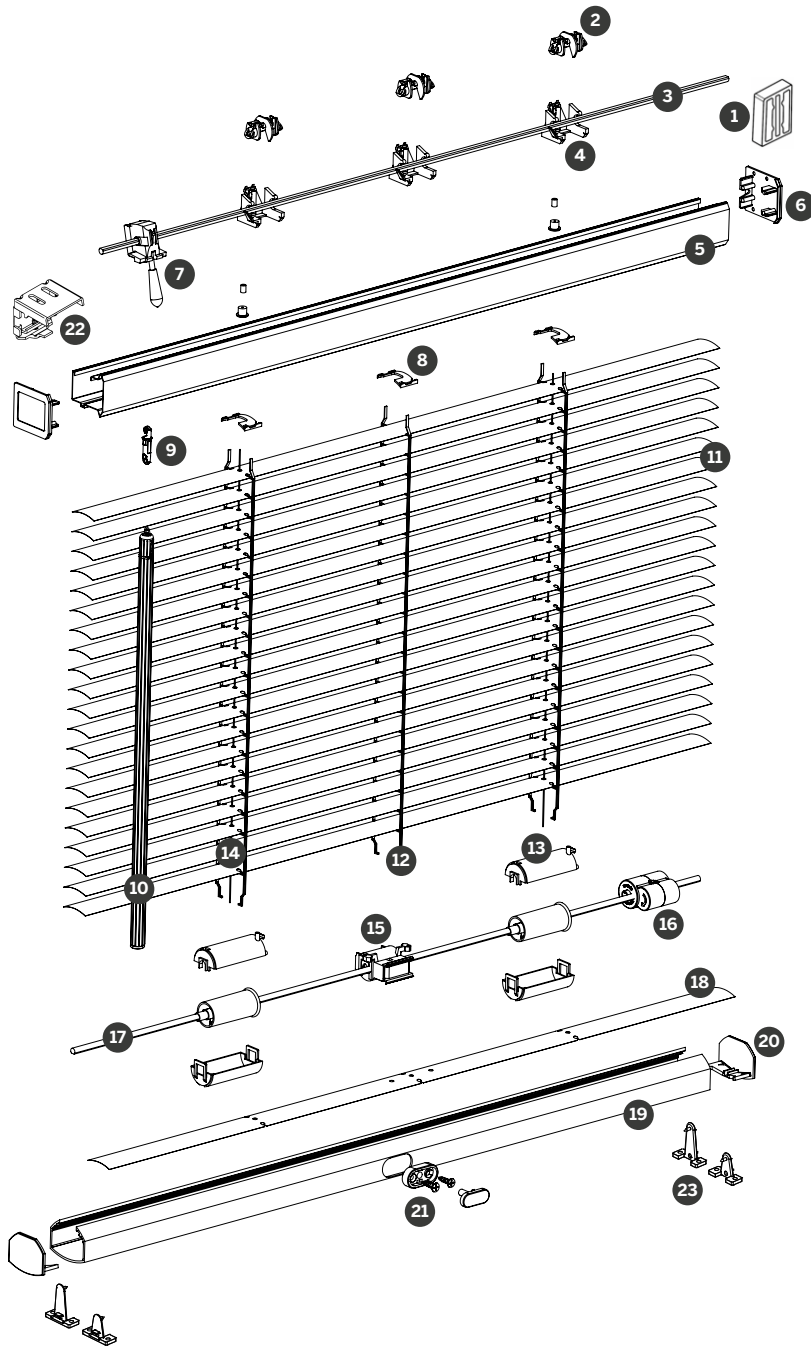
- Terms and Conditions
- Order Processing
- Freight
- Claims and Returns
- Warning and Safety Information
- Warranty

Riviera™ Classic 1"



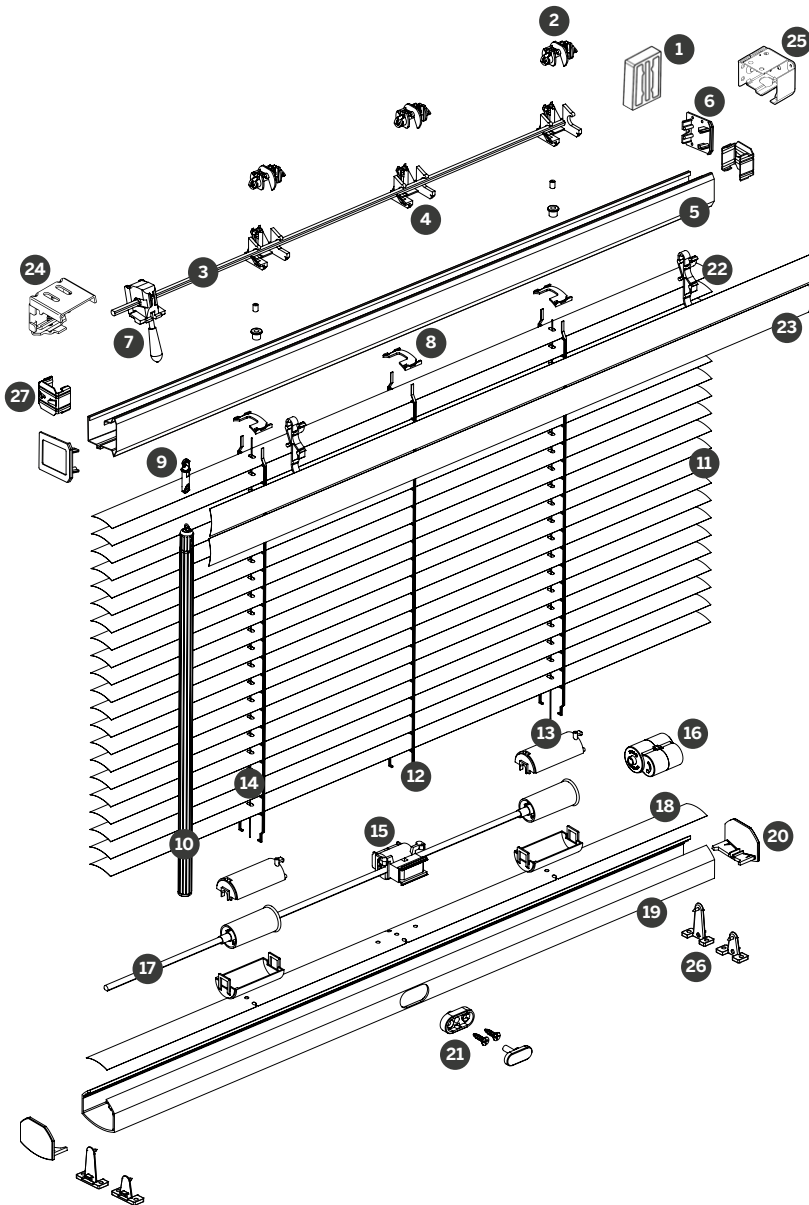
RIVIERA™ CLASSIC 1"		
Item	Part Description	Part Number
1	3/8" Spacer Block	Part# KIT-AB-001 2pk* Part# KIT-AB-002 3pk* *Not required on every blind
2	Tape Drum	Part# 5908570000
3	Tilt Rod	Part# 5908027000
4	Tape Drum Support	Part# 5908573000
5	Headrail	
6	End Lock	Part# 5008542000
7	Wand Tilter	Part# 1023451
8	Tape Spacer	Part# 5008136000
9	Wand Extender	Part# 7008702000
10	Clear Wands	
	12"	Part# 1027994
	20"	Part# 1027995
	30"	Part# 1027996
	40"	Part# 1027997
	50"	Part# 1027998
	60"	Part# 1027999
	70"	Part# 5008570000
	78"	Part# 5008578000
	90"	Part# 5008506000
11	Slat	
12	Cable Tape Ladder	
13	Support Set (Spool cover)	Part# 7300602000
14	Cord	
15	Assembly w/ screws	Part# 7300605000
16	Motor	
	White	Part# 7300601000
	Blue	Part# 7300611000
17	Steel V Shaft	Part# 2770004000
18	Aluminum Filler Strip	
19	Bottomrail	
20	Bottomrail End Cap	
21	Button Set	
22	Valance clip	Part# 1040360
23	Double Slat Channel Valance (Optional)	Part# K17F512000105
24	Box Installation Brackets	
25	Hold Down Bracket	Part# KIT2009 Sill – 3/8" Part# KIT2010 Jamb – 3/4"
26	Not Shown:	
	Installation Screws	Part# KIT1029 – #6 x 1.5"

Riviera™ Select 1"



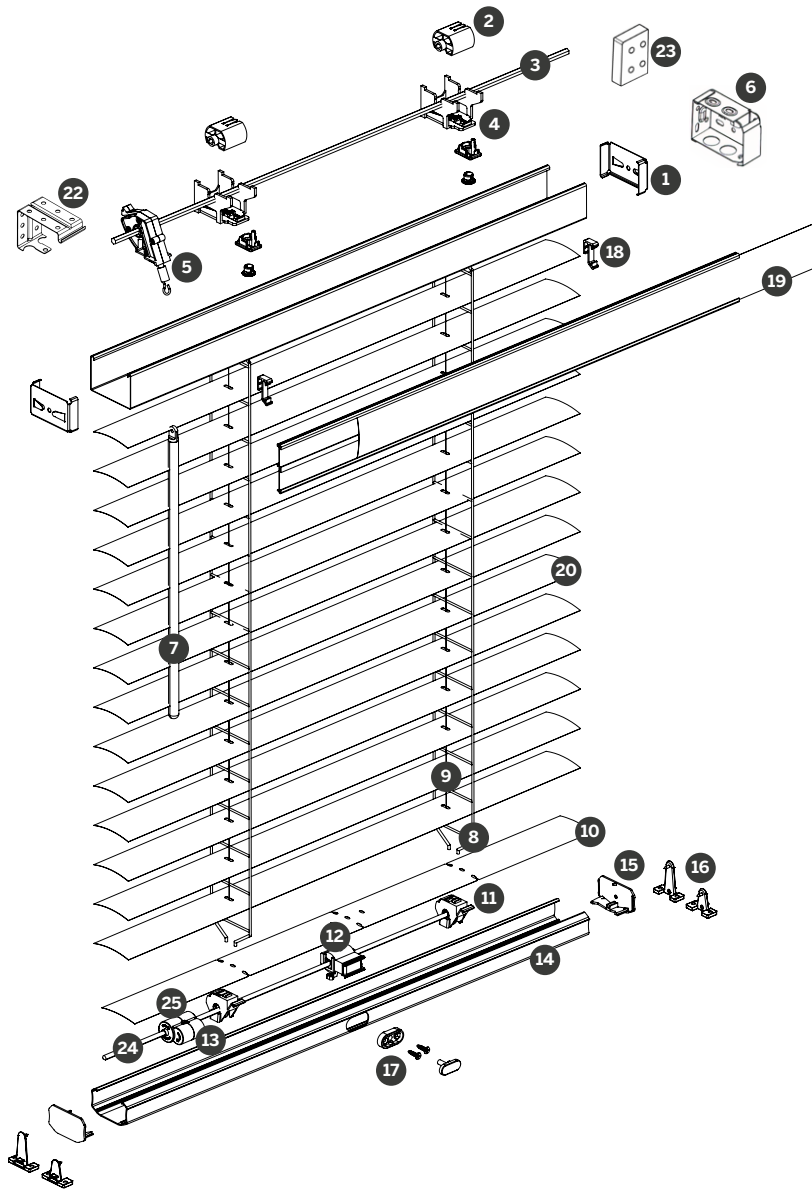
RIVIERA™ SELECT 1"		
Item	Part Description	Part Number
1	3/8" Spacer Block	Part# KIT-AB-001 2pk* Part# KIT-AB-002 3pk* *Not required on every blind
2	Tape Drum	Part# 5908570000
3	Tilt Rod	Part# 5908027000
4	Tape Drum Support	Part# 5908573000
5	Headrail	
6	Headrail End Cap	
7	Wand Tilter	Part# 1023451
8	Tape Spacer	Part# 5008136000
9	Wand Extender	Part# 7008702000
10	Clear Wands	
	12"	Part# 1027994
	20"	Part# 1027995
	30"	Part# 1027996
	40"	Part# 1027997
	50"	Part# 1027998
	60"	Part# 1027999
	70"	Part# 5008570000
	78"	Part# 5008578000
	90"	Part# 5008506000
11	Slat	
12	Cable Tape Ladder	
13	Support Set (Spool cover)	Part# 7300602000
14	Cord	
15	Assembly w/ screws	Part# 7300605000
16	Motor	
	White	Part# 7300601000
	Blue	Part# 7300611000
17	Steel V Shaft	Part# 2770004000
18	Aluminum Filler Strip	
19	Bottomrail	
20	Bottomrail End Cap	
21	Button Set	
22	Hidden Installation Brackets	Part# KIT1303 2pk
23	Hold Down Brackets	Part# KIT2009 Sill – 3/8" Part# KIT2010 Jamb – 3/4"
24	Not Shown:	
	Installation Screws	Part# KIT1029 – #6 x 1.5"

Riviera™ Complete 1"



RIVIERA™ COMPLETE 1"		
Item	Part Description	Part Number
1	3/8" Spacer Block	Part# KIT-AB-001 2pk* Part# KIT-AB-002 3pk* *Not required on every blind
2	Tape Drum	Part# 5908570000
3	Tilt Rod	Part# 5908027000
4	Tape Drum Support	Part# 5908573000
5	Headrail	
6	Headrail End Cap	
7	Wand Tilter	Part# 1023451
8	Tape Spacer	Part# 5008136000
9	Wand Extender	Part# 7008702000
10	Clear Wands	
	12"	Part# 1027994
	20"	Part# 1027995
	30"	Part# 1027996
	40"	Part# 1027997
	50"	Part# 1027998
	60"	Part# 1027999
	70"	Part# 5008570000
	78"	Part# 5008578000
	90"	Part# 5008506000
11	Slat	
12	Cable Tape Ladder	
13	Support Set (Spool cover)	Part# 7300602000
14	Cord	
15	Assembly w/ screws	Part# 7300605000
16	Motor	
	White	Part# 7300601000
	Blue	Part# 7300611000
17	Steel V Shaft	Part# 2770004000
18	Aluminum Filler Strip	
19	Bottomrail	
20	Bottomrail End Cap	
21	Button Set	
22	Valance clip	Part# 1040360
23	Double Slat Channel Valance (Optional)	Part# K17F512000105
24	Hidden Installation Brackets	Part# KIT1303 2pk
25	Box Installation Brackets (Optional)	
26	Hold Down Brackets	Part# KIT2009 Sill - 3/8" Part# KIT2010 Jamb - 3/4"
27	End Lock Ordered with Box Brackets	Part# 5008542000
28	Not Shown:	
	Installation Screws	Part# KIT1029 - #6 x 1.5"

Riviera™ Complete 2"



RIVIERA™ COMPLETE 2"		
Item	Part Description	Part Number
1	End Lock	Part# 5003655000S
2	Tape Drum	Part# 1029361
3	Tilt Rod	Part# 1030963
4	Tape Drum Support	Part# 1029361 – Right Part# 1029363 – Left
5	Wand Tilter	Part# 1029366
6	Box Installation Bracket	
7	Clear Wands	
	12"	Part# 1031866
	20"	Part# 1031867
	24"	Part# 1031868
	36"	Part# 1031869
	48"	Part# 1031950
	60"	Part# 1030286
	72"	Part# 1030287
	84"	Part# 1030288
8	Cable Tape Ladder	
9	Lift Cord	
10	Filler strip	Part# 1027542
11	Support and Cover Set	Part# 7300405000
12	Lock Assembly with Screws	Part# 7300404000
13	Motor	Part# 7300401000 Black Part# 7300402000 Beige
14	Bottomrail	
15	Bottomrail End Caps	
16	Hold Down Brackets	Part# KIT2010 Jamb – 3/4" Part# KIT2009 Sill – 3/8"
17	Button Set	
18	Valance Clip	Part# KIT-AB-005
19	Single Channel Valance	Part# 60-70-1200
20	Slat	
21	Headrail	
22	Intermediate Support Bracket	Part# KIT1018
23	Spacer Blocks	Part # KIT-BLOCK-2PK* Part# KIT-BLOCK-3PK* *Not Required on every blind
24	"V" Tilt Rod	Part# 2770004000
25	Lift Spool	Part# 2781211001
26	Not Shown:	
	Installation Screws	Part# KIT1029 – #6 x 1.5"

LEVOLOR®

©2023 LEVOLOR®
LEVOLOR.com
800-538-6567
5775 Glenridge Drive
Building A
Atlanta, GA 30328